

Lens drawings

Diagram (2) (converging lens)

- smaller
- real
- inverted

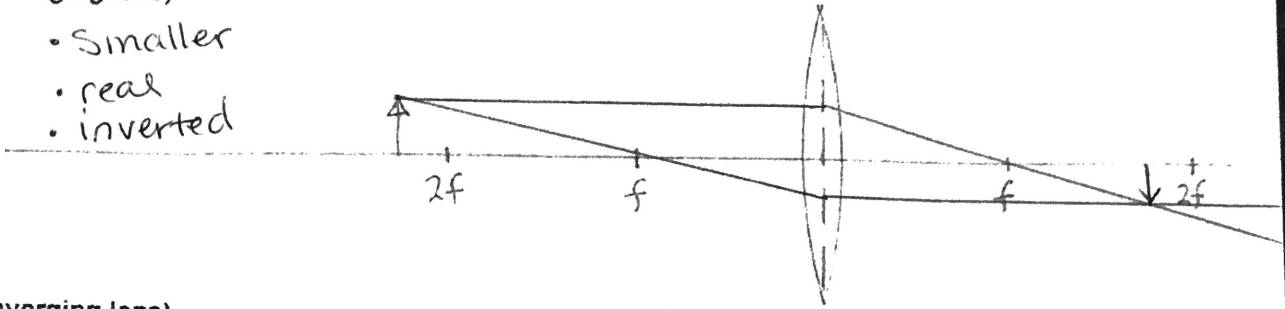


Diagram (3) (converging lens)

- same size
- real
- inverted

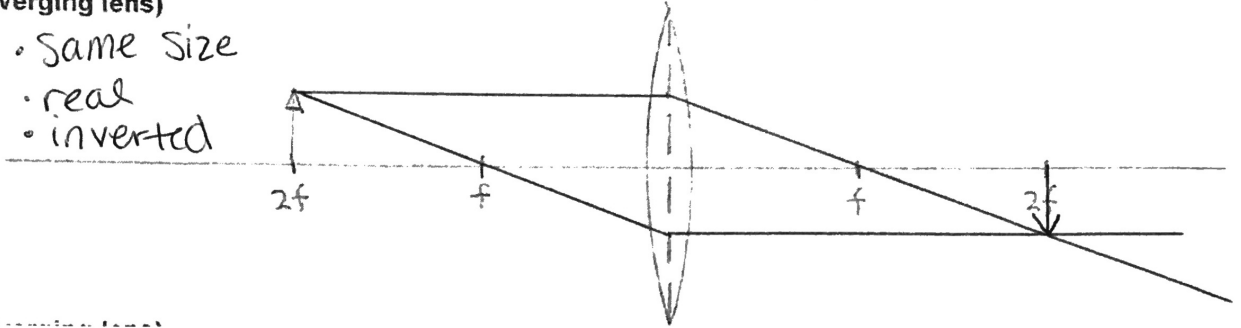


Diagram (4) (converging lens)

- larger
- real
- inverted

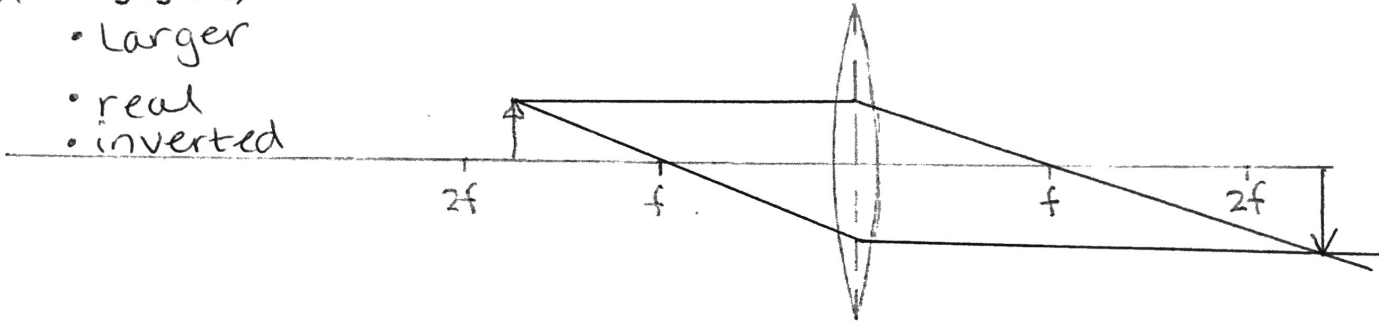


Diagram (5) (converging lens)

- No image

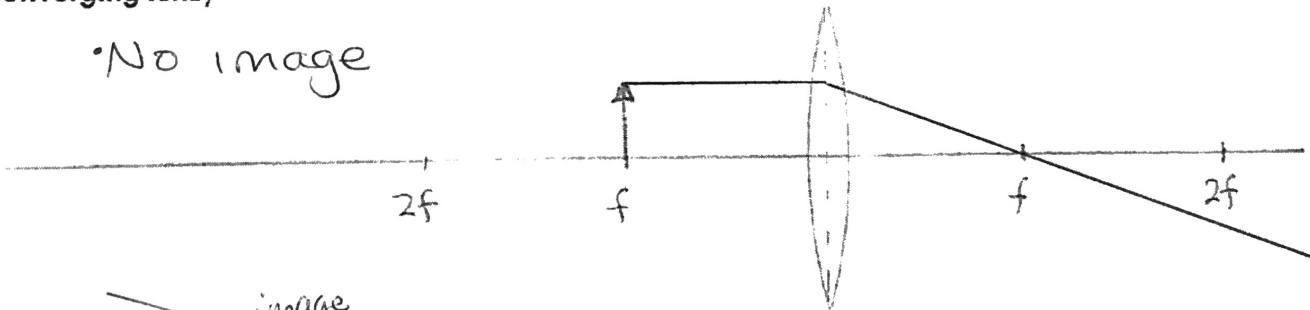


Diagram (6) (converging lens)

- larger
- virtual
- upright

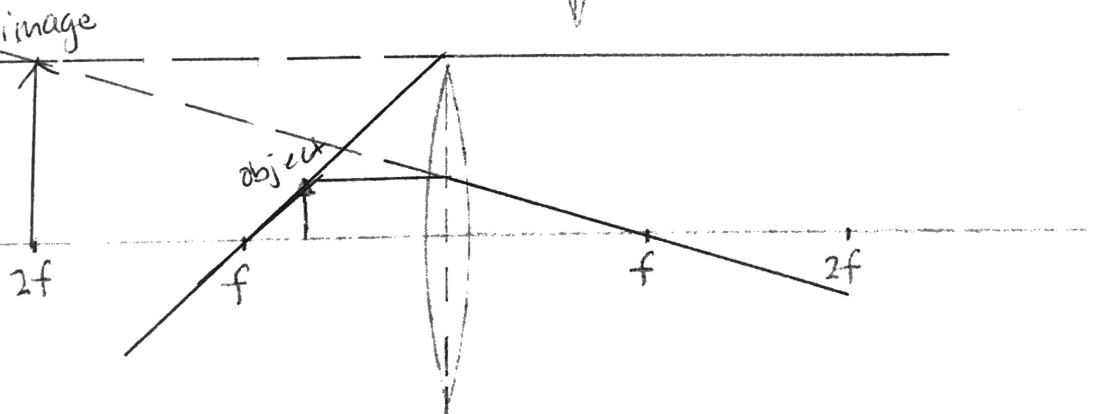


Diagram (7) (diverging lens)

- Smaller
- virtual
- Upright

